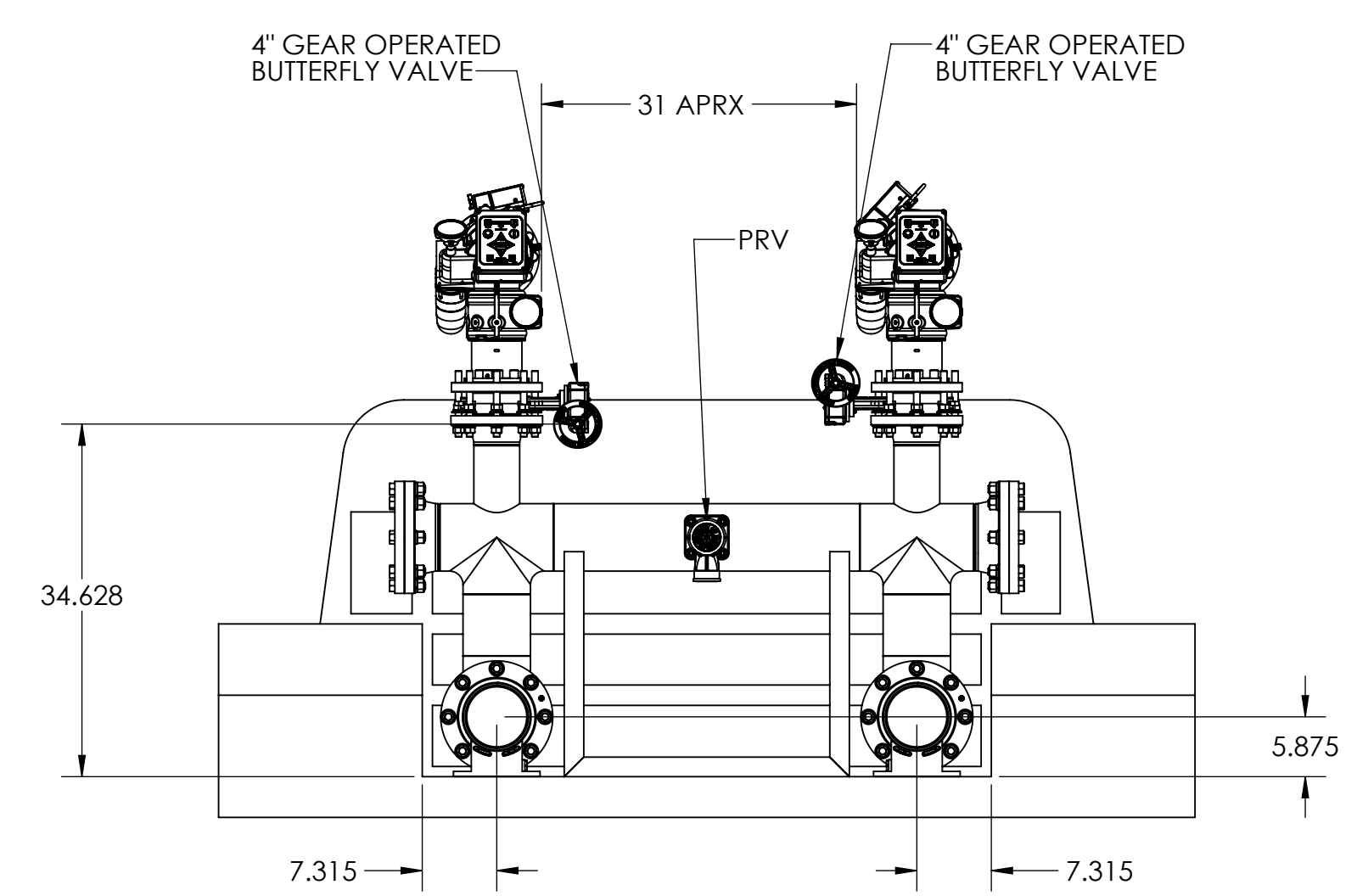
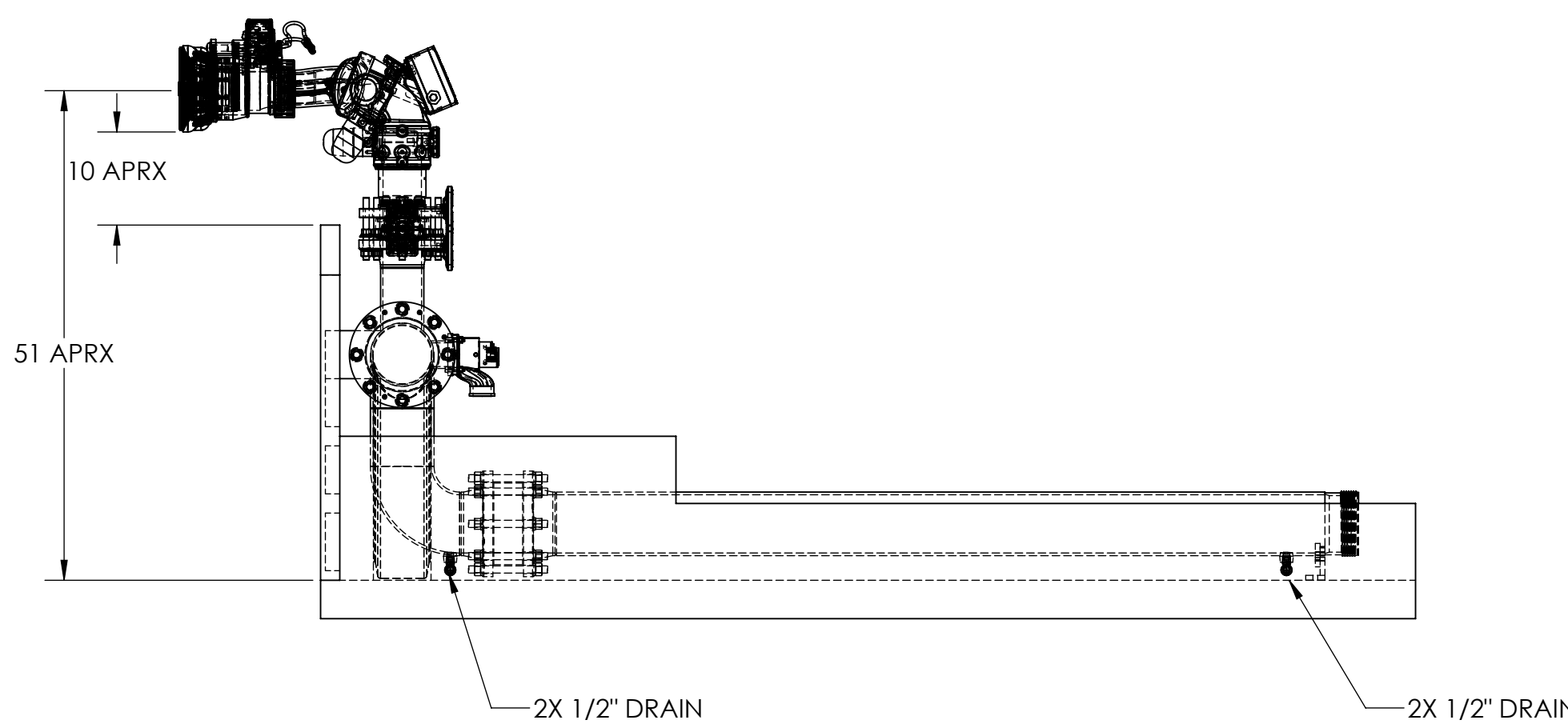
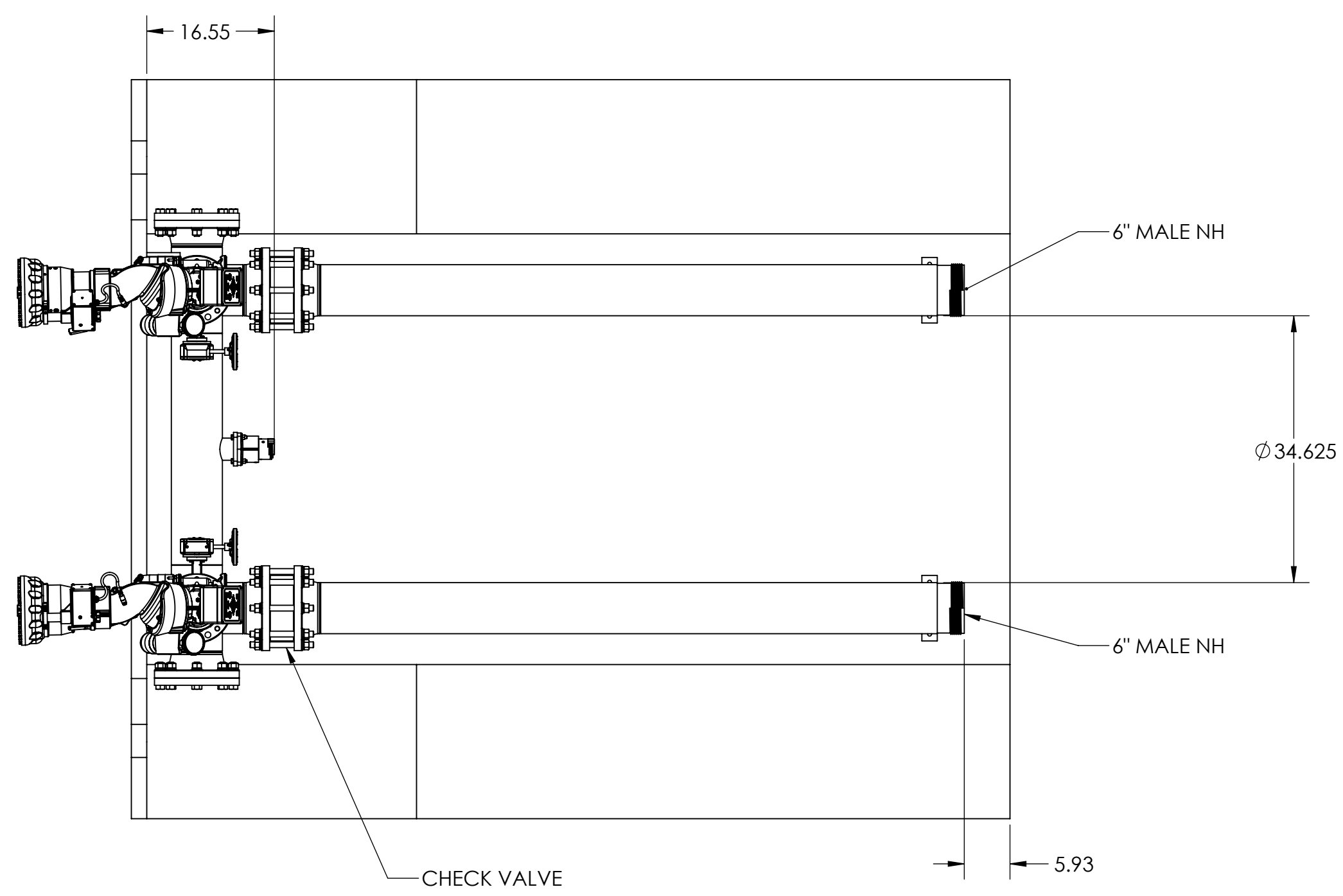
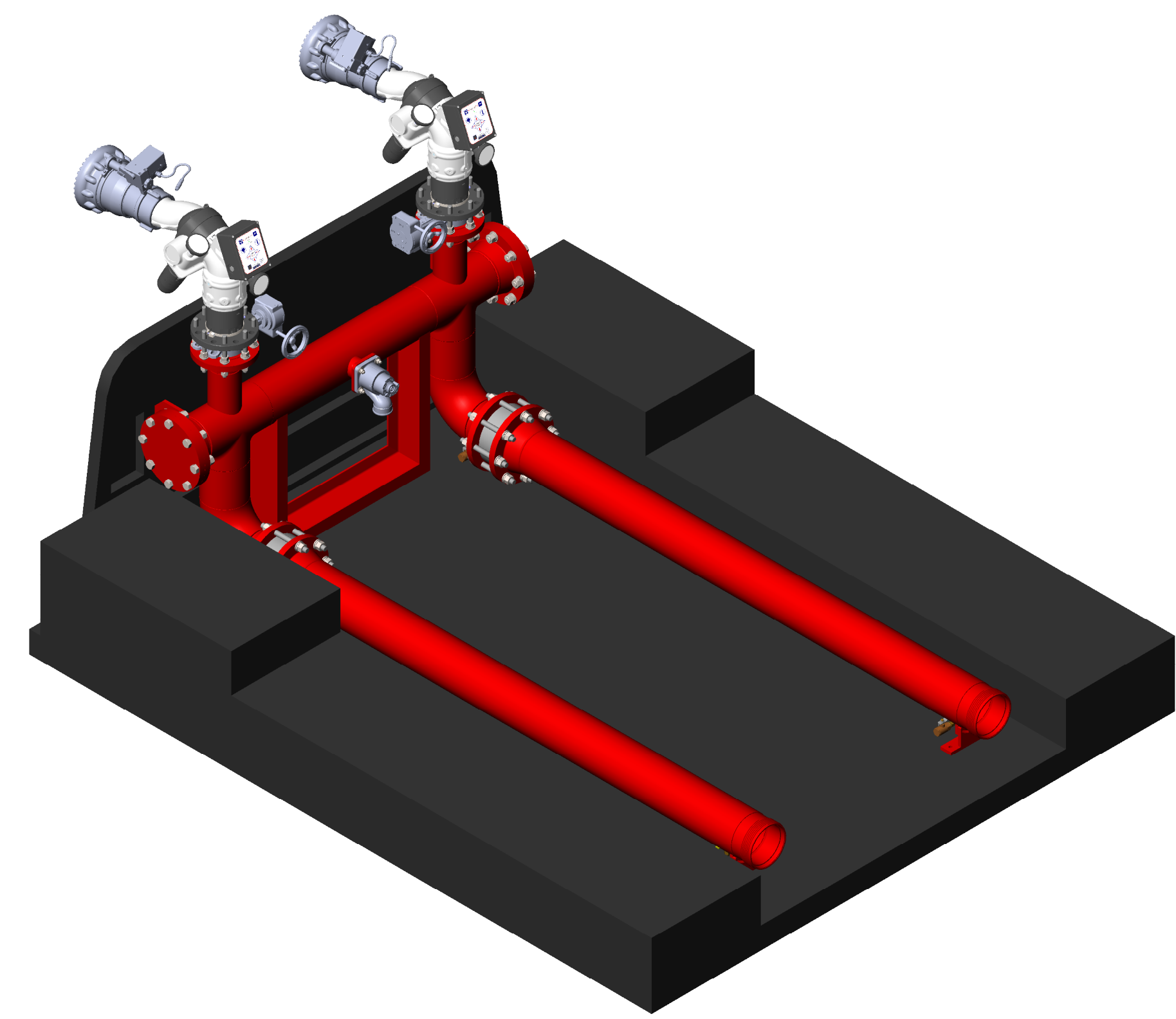


CAGE	DWG NO	778-4002-04-0	SM	1	REV	A	1
REVISIONS							
ZONE	REV.	DESCRIPTION	DATE	APPROVED			
	-	INITIAL RELEASE	7/26/18	REN			
	A	REMOVED SHEET 2 & ADJUST TO SUPPLIED DIMENSIONS OF KANPHEIDE BODY	8/1/2018	REN			

- NOTES:**
- APPLICABLE STANDARDS/SPECIFICATIONS
 - ASME Y14.5M-1994, DIMENSIONS AND TOLERANCES
 - ASME Y14.38-2007, ABBREVIATIONS AND ACRONYMS
 - FINISH: -
 - DESIGN MODEL IS REPRESENTED IN CAD DIGITAL DATA FILE. DESIGN MODEL AVAILABLE IN OTHER 2D AND 3D DIGITAL DATA FORMATS ON REQUEST. INTERPRET PER ASME Y14.41-2003.



THE INFORMATION CONTAINED HEREIN IS PROPRIETARY DATA, AND IS NOT FOR DISSEMINATION OR DISCLOSURE, IN WHOLE OR IN PART, FOR ANY PURPOSE OTHER THAN THAT FOR WHICH IT IS SUBMITTED, EXCEPT AS AUTHORIZED IN WRITING BY US FIRE PUMP.

DELIVERY MUST CONFORM EXACTLY WITH DRAWING SPECIFICATIONS AND APPROVED Q.A. SAMPLES. ABSOLUTELY NO CHANGES ARE PERMITTED WITHOUT PRIOR APPROVAL BY US FIRE PUMP. THIS INCLUDES CHANGES TO: SOFTWARE, MATERIALS, INTERNAL COMPONENTS, MANUFACTURING PROCESSES.

INCH

ADDITIONAL APPROVALS	DATE					UNLESS OTHERWISE SPECIFIED DIMENSIONS ARE IN INCHES. TOLERANCES ARE:	PROJECT	
STRESS						DECIMALS: .XX ± 0.02 ANGLES: ± 0.5°	APPROVALS	DATE
MATERIALS & PROCESSES						.XXX ± 0.010 SHEETMETAL DIMENSIONS: ± 0.01	DRAWN	7/26/18
QUALITY ASSURANCE						DO NOT SCALE DRAWING	CHECKED	7/26/18
MANUFACTURING ENGINEERING		DASH NO	NEXT ASSY	USED ON			DESIGNER	7/26/18
TREATMENT		APPLICATION			PROJECTION	THIRD ANGLE	APPROVED	7/26/18
							SCALE	1:16
							RELEASE DATE	-
							WEIGHT	26622.001 LBS
							SHEET	1 of 1
							PROJECT	ASM-QUICK ATTACK, DUAL 4" OUTLET, DUAL 6" INLET IN BED, READING BED
							SIZE	D
							CAGE CODE	-
							DWG NO	778-4002-04-0
							REV	A